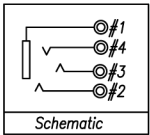
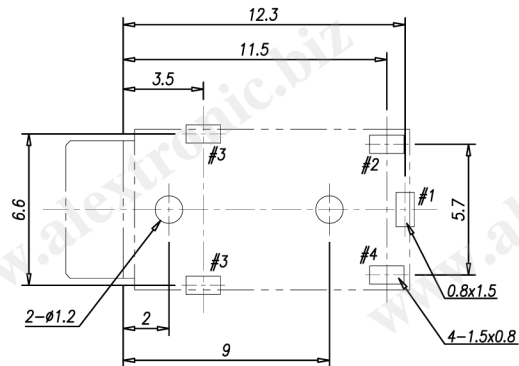
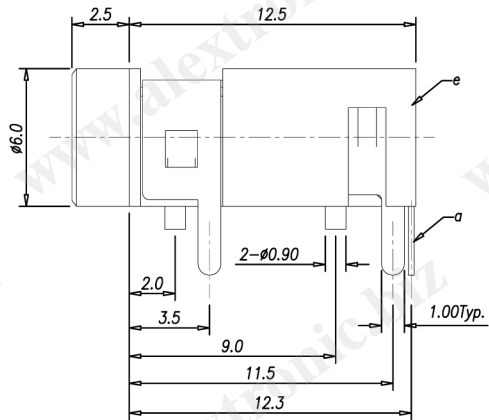
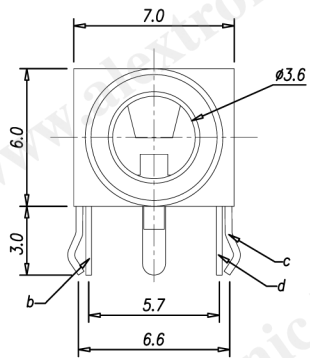


CATEGORY	DESCRIPTION	P/N #
CONNECTOR	3.5 Phone Jack, R/A, T/H, Without Metal Ring	AJ3022-10060-0040

REV.	ECN NO	DESCRIPTION	REVISED	DATE
A01		New Release	Luguan	2010.02.26

SPECIFICATION

1. Voltage Rating: DC 30V Min.
2. Current Rating: 1.0A Max.
3. Contact resistance: 30mΩ Max.
4. Insulation resistance: 100MΩ Min. (DC250V)
5. Operation Temperature: -25°C~70°C
6. Withstand Voltage: AC500V
7. Insertion force: 3kgf Max.
8. Extraction force: 0.3kgf Min.
9. life testing: 5,000 cycles
10. To conform with the "QC-03-045" & "RoHS DIRECTIVE"
11. Solder heat resistance: wave soldering 260°C 5 seconds



Recommend PCB Layout
(Jack Top View)
Tolerance: ±0.05mm
Recommend PCB Thickness: 1.6mm

e	Housing	1	PBT UL94V-0	Black	
d	Terminal #4	1	Phosphor Bronze, T=0.25mm	Sn Plating	
c	Terminal #3	1	Brass, T=0.3mm	Sn Plating	
b	Terminal #2	1	Phosphor Bronze, T=0.25mm	Sn Plating	
a	Terminal #1	1	Phosphor Bronze, T=0.25mm	Sn Plating	
NO.	PART NAME	Q'TY	MATERIAL	PLATING & COLOR	Remark

Product Drawing			
ALEXTRONIC			
UNLESS OTHERWISE SPECIFIED TOLERANCES	SCALE: 1/1	UNIT: mm	DWG.NO:
SIZE: A3	PAGE: 1 OF 1	REV: A01	
DECIMALS: X ±0.5 X.X ±0.3 X.XX ±0.2	ANGLES: X ±2° X.X ±1°	APPROVED BY	CHECKED BY
		WYX	Pengjie
			Luguan
CUSTOMER COPY			